

Agrimaster Giraffe

Ideal for maintenance of gardens, parks and for cleaning of banks and ditches.

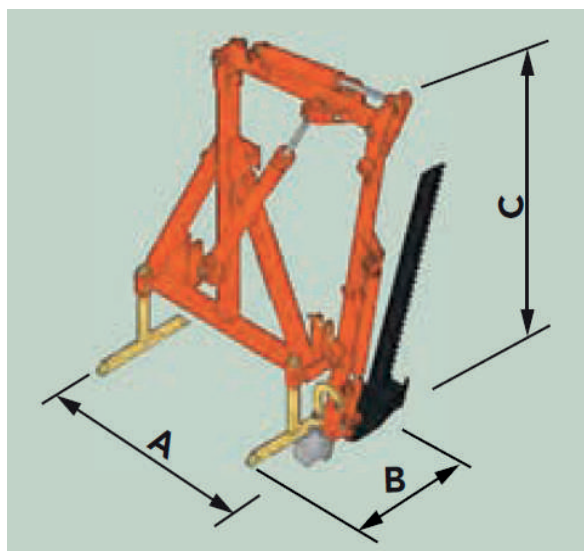


OVERVIEW

The Giraffe cutter bar cuts the hedge using a reciprocating blade so it does not throw the trimmings, they just drop to the floor, making it ideal for use in parks, schools and public areas. Only a small compact tractor is required which gives access to confined spaces. It gives a clean, tidy cut and finish.

FEATURES

Cutter bar length 1.2M, maximum sideways reach of 3.3M and a maximum cutting height of 4.6M, overall weight of 182Kg. Cable control, right hand cut, oil flow control and safety bracket on Cat I, 3 point linkage with a maximum cutting \varnothing of 20mm.



Specification	-	Giraffe
Weight	Kg	182
Maximum Working Pressure	Bar	180
Maximum Quantity of Oil	l/min	3 / 4
Cutting Rate	cuts/min	300
Working Width	cm	122
Maximum Cutting Diameter	cm	2
A	cm	150
B	cm	68
C	cm	183