



OVERVIEW

The ideal flail mower for trimming roadside verges, ditches and embankments. With right hand operation the XL can be used behind the tractor or hydraulically offset to operate outside the tractor rear wheel. The cutting head can be angled from vertical for siding hedges to 45° downwards into ditches at the touch of a lever. A hydraulic safety break-back system prevents collision damage. The tractor requires 2 individual spool valves and a 540 PTO speed. The unique cutting action throws material over the top of the roller, keeping the cutting rotor clean & leaving a cleaner cut.

AGRIMASTER XL

Verge Mower for Small Tractors

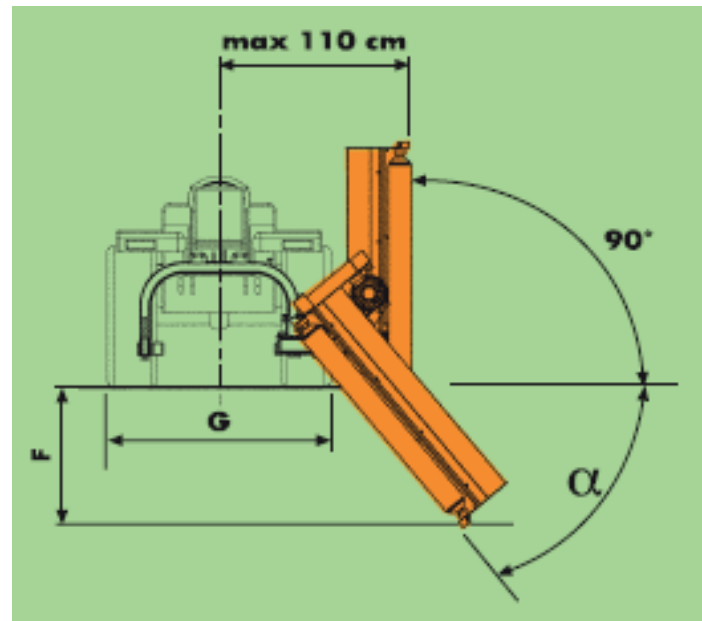
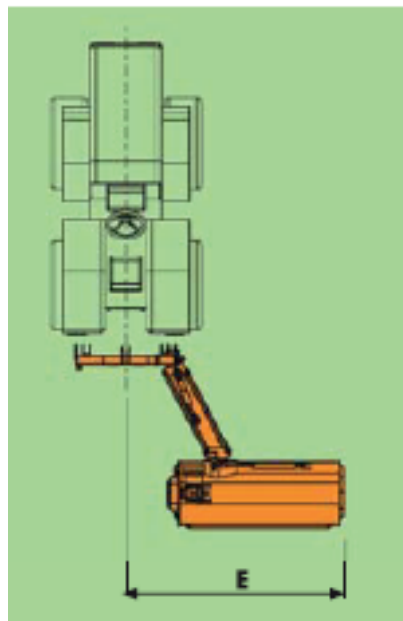
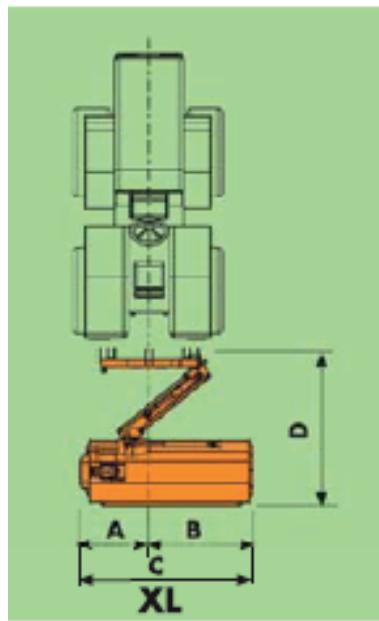
The cutting head can be angled from vertical for siding hedges to 45° downwards into ditches at the touch of a lever. A hydraulic safety break-back system prevents collision damage. The tractor requires 2 individual spool valves and a 540 PTO speed. The unique cutting action throws material over the top of the roller, keeping the cutting rotor clean & leaving a cleaner cut.

FEATURES

540 RPM gearbox with free wheel suitable for tractors of 20HP – 30HP. Rear roller and stationary knife. Double acting spools required. All complete with reinforced rotors.

OPTIONS

Left Hand Cut



Spec.	Working Width	Min. Tractor Weight	Min. Tractor Power	Weight	Hammers	Belts	A	B	C	D	E	F	G	α
	m/ft	Kg	HP	Kg	No.	No.	cm	cm	cm	cm	cm	cm	cm	
XL 130	1.32 / 4'3"	700	20	278	16	3	72	75	147	139	189	57	120	50°
XL150	1.53 / 4'11"	700	25	298	24	3	72	95	167	139	209	73	130	50°
XL 180	1.81 / 5'10"	900	30	325	24	3	72	123	195	139	236	94	140	50°