



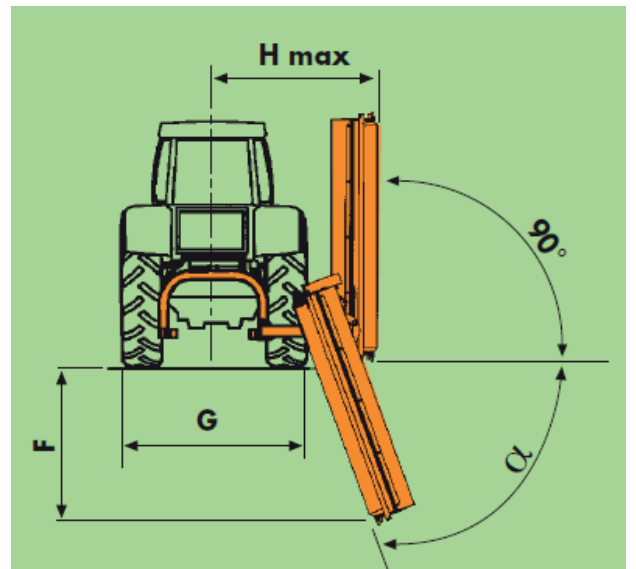
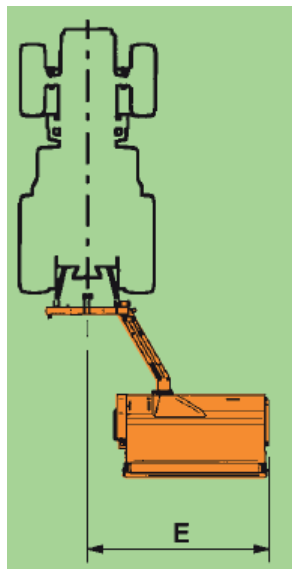
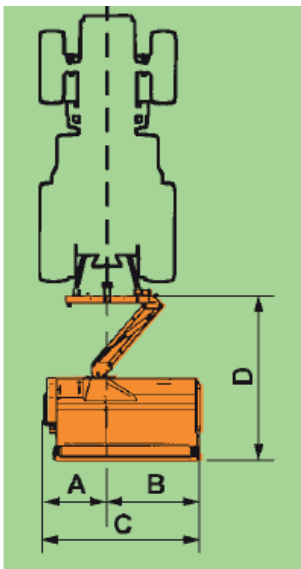
OVERVIEW

This rear mounted, multipurpose, right hand operated flail that can be used 'in line' behind the tractor or offset. It is ideal for cutting ditches and banks safely and easily with working positions of up to 90° and down to 40°. The unique cutting action throws material over the top of the roller, keeping the cutting rotor clean & leaving a cleaner cut.

FEATURES

540 RPM gearbox with free wheel suitable for tractors of 60HP – 80HP. Side skids, rear roller and stationary knife. Double acting spools required. Self levelling hitch. All complete with reinforced rotors.

	Working Width	Mini Tractor Weight	Power Demand	Weight	Paddle Flails	Belts	Width	Height	Length	Total Height
	cm	Kg	HP	Kg	No.	No.	cm	cm	cm	cm
FOX 160 Super	160	1800	45	567	24	3	185	45	206	112
FOX 190 Super	191	2000	55	540	28	4	216	45	206	112
FOX 225 Super	221	2500	65	540	32	4	246	46	206	112



	A	B	C	D	E	F	G	H	α
	cm	cm	cm	cm	cm	cm	cm	cm	
FOX 160 Super	82	103	185	206	234	77	160	156	43°
FOX 190 Super	82	134	216	206	265	93	180	156	43°
FOX 225 Super	82	164	246	206	295	114	210	156	43°